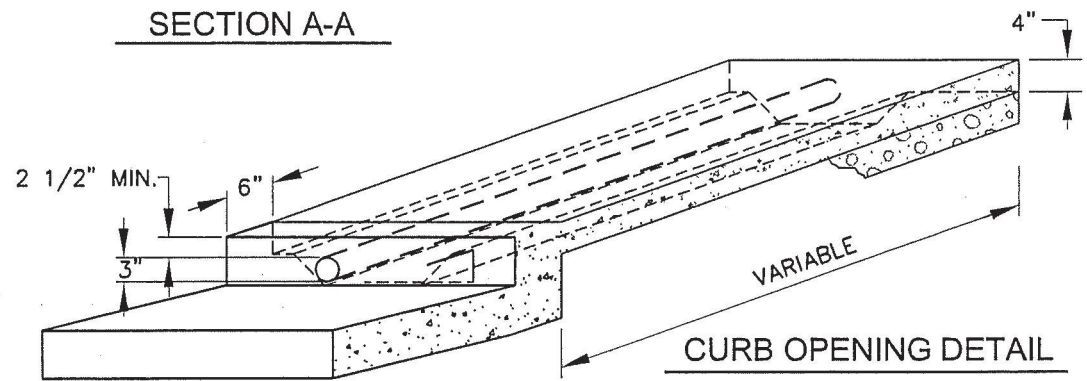
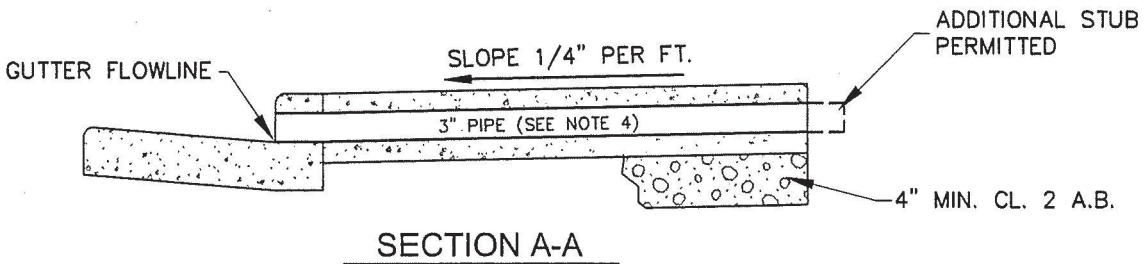
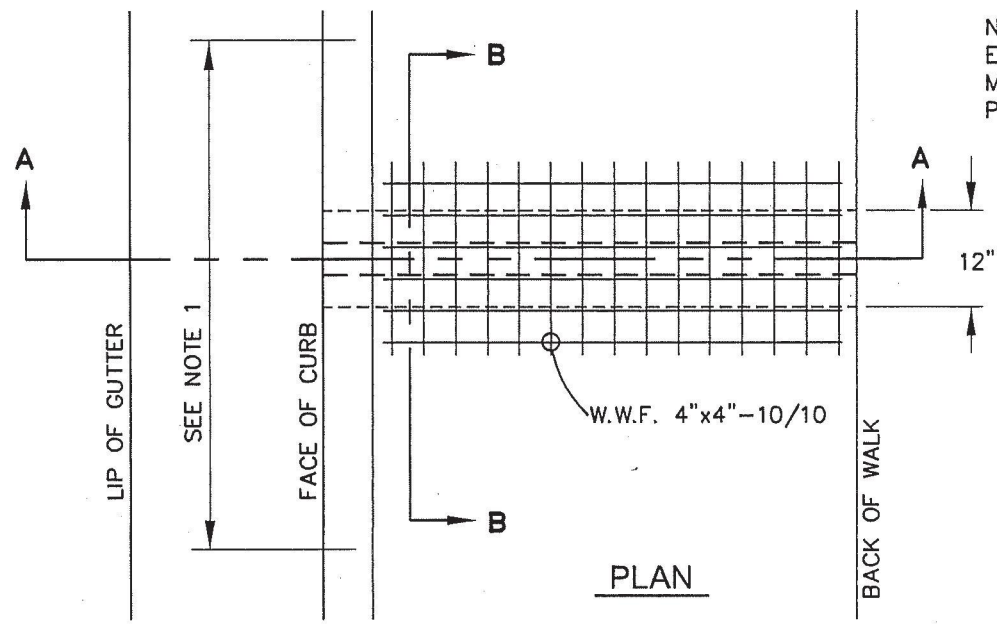
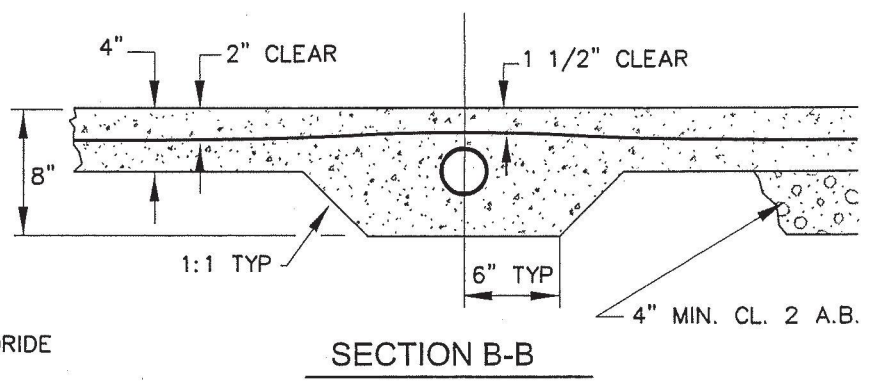


NOTE: IF SIDEWALK IS EXISTING, A 12" SECTION MAY BE SAWCUT TO PLACE 3" P.V.C. & W.W.F.

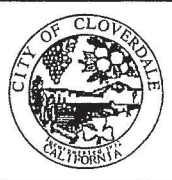


NOTES:

1. WIRE MESH SHALL BE 2' WIDE. LENGTH SHALL EQUAL SIDEWALK WIDTH MINUS 4". IF SIDEWALK IS EXISTING, SEE NOTE ABOVE.
2. ON-SITE DRAINAGE AND LOCATION OF CURB OUTLETS SHALL BE BY THE OWNER TO THE SATISFACTION OF THE CITY ENGINEER.
3. DRAIN PIPE SHALL BE INSTALLED SO THAT TOP OF PIPE IS 2-1/2" MIN. BELOW FINISH GRADE AT BACK OF SIDEWALK.
4. SIDEWALK DRAIN TO BE 3" SCH. 40, HEAVY WALL, RIDGID POLYVINYL CHLORIDE PIPE OR APPROVED SUBSTITUTE.



FILE: BMAP-STD\CLOVER\STD\CLOV400-411.DWG



SIDEWALK DRAIN

STD. NO.
409

SCALE: NONE DRAWN: LMM CHK: JHG APPVD: DATE: APR. 2004